



TEK Pillar Hydrant

Ductile Iron Pillar Hydrant



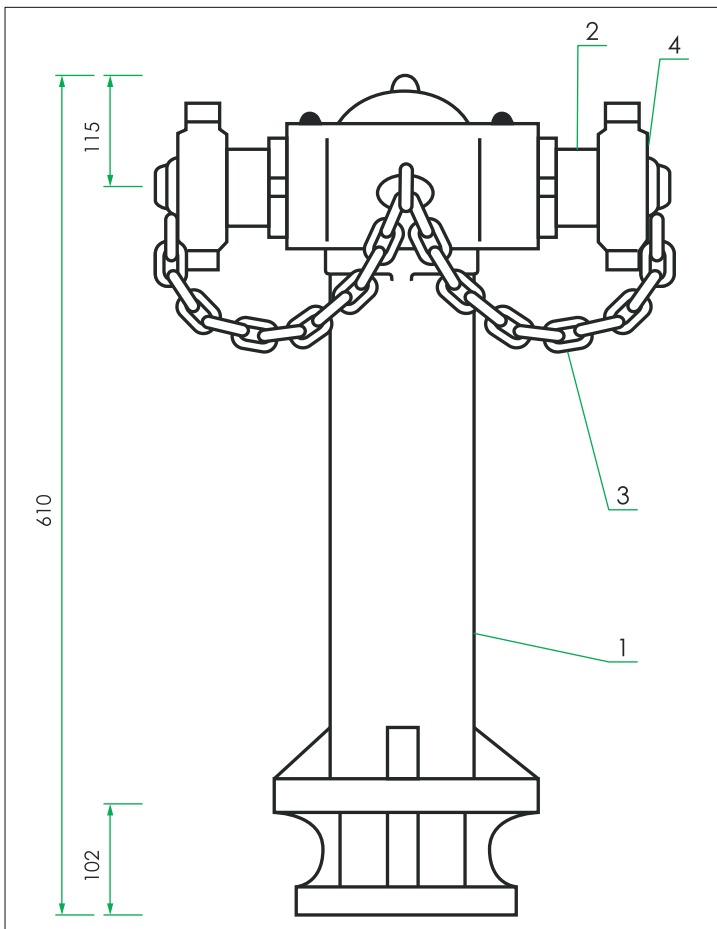


TEK Pillar Hydrant

Ductile Iron Pillar Hydrant

- Diameter Range : DN 100
- Maximum Working Pressure : 16 Bar
- Applied Pressure : Shell Test – 24 bar
- Specification : JKR 20200-0042-99

SPECIFICATIONS



No	Description	Material Description
1	Body	Ductile Iron, BS EN 1563 Grade 500/7
2	Outlet	Gunmetal BS 1400
3	Chain	Galvanized Iron
4	Cap	Ductile Iron, BS EN 1563 Grade 500/7

NOTE:

1. UNIT OF MEASUREMENT: MM
2. THE DESIGNS, MATERIALS AND SPECIFICATIONS SHOWN ARE SUBJECT TO CHANGE WITHOUT NOTICE DUE TO OUR CONTINUING PROGRAMME OF PRODUCT DEVELOPMENT.