



TEK Air Relief Valve

Ductile Iron Single Small Orifice
Air Relief Valve PN16

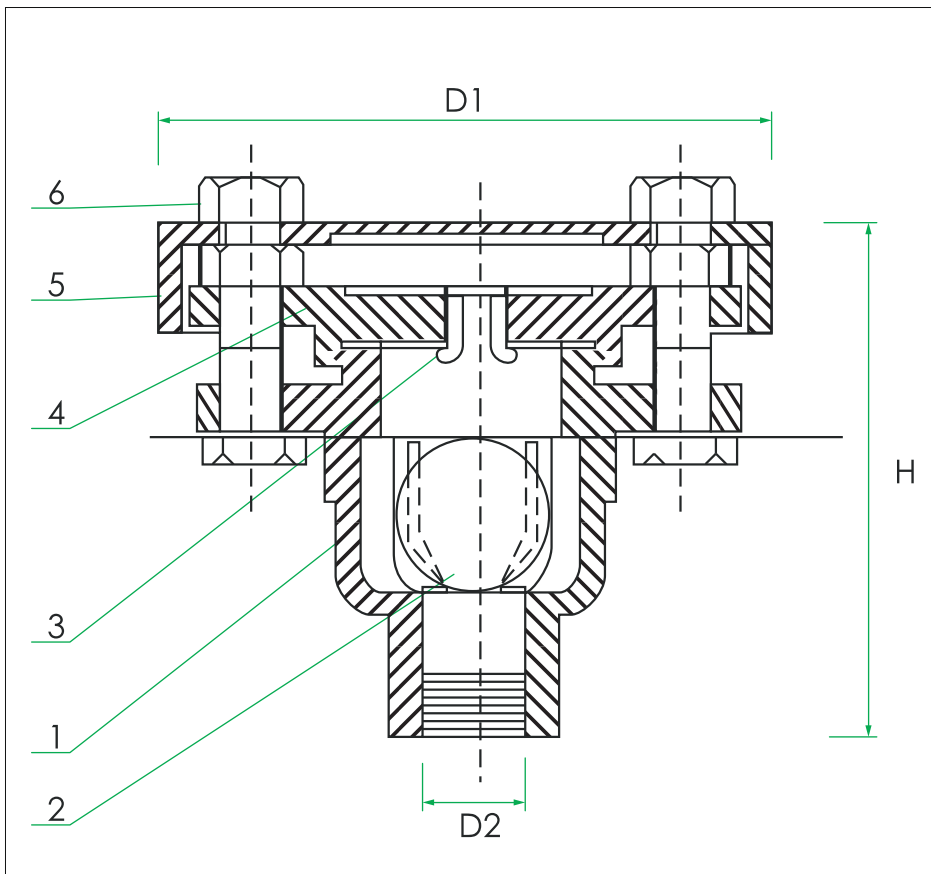




TEK Air Relief Valve

Ductile Iron Single Small Orifice Air Relief Valve PN16

- Diameter Range : DN25
- Coating : High solid epoxy coating as standard, other coating upon request.
- Features : Removable cover casing for easy inspection and maintenance of orifice
- Specification : JKR 20200-0097-01 / AWWA C512:2004



SPECIFICATIONS

No	Part	Material Description
1	Body	Ductile Iron, BS EN 1563 Grade 500/7
2	Float (Ball)	ABS
3	Air Release Nipple	EPDM
4	Ball Guide	Ductile Iron, BS EN 1563 Grade 500/7
5	Cover	Ductile Iron, BS EN 1563 Grade 500/7
6	Bolts & Nuts	Stainless Steel

DIMENSIONS

DN	H	D1	D2
25	215	155	25

NOTE:

1. UNIT OF MEASUREMENT:MM
2. THE DESIGNS, MATERIALS AND SPECIFICATIONS SHOWN ARE SUBJECT TO CHANGE WITHOUT NOTICE DUE TO OUR CONTINUING PROGRAMME OF PRODUCT DEVELOPMENT.